

MYANMAR
Status of the
information systems & operations at
Department of Meteorology and
Hydrology

Ms.Pa Pa Swe & Ms. Pyae Phyo Htwe Naing

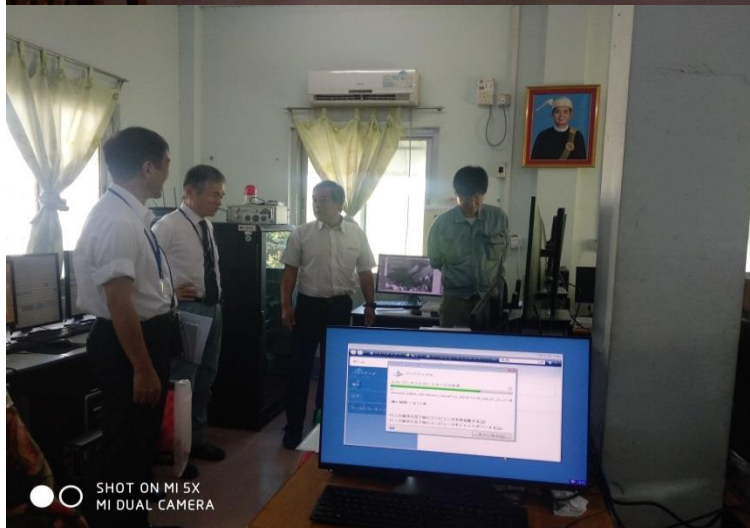
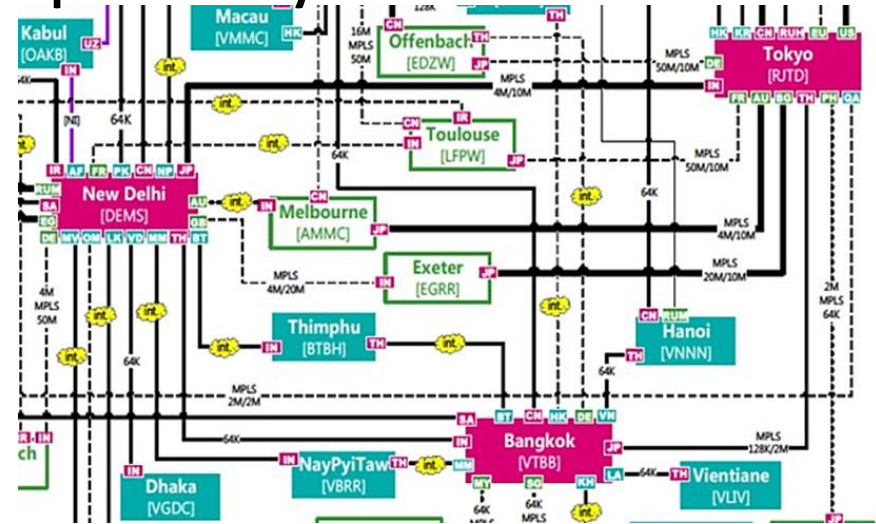
JMA WIS Workshop
17-19 January 2022, on-line (MS-Teams)

Contents

- 1. System/network configuration**
- 2. Internet tools**
- 3. Utilize Internet Services**
- 4. Achievement, Remaining Items, Issues**

1. A System/Network Configuration

Upgrade of WIS/GTS Links in Dec 2019 provided by JICA



1.B

Upgrade of WIS/GTS Links in Dec 2019 provided by JICA

The diagram illustrates the network architecture for the upgrade of WIS/GTS links. It is divided into several key components:

- DMH Yangon:** Contains a Sub MSS Processor, Forecasting PC-3, Data Entry PC-3, and a Color Printer. It is connected to the Yangon International Airport via a Forecasting PC-4 and a Color Printer.
- DMH Nay Pyi Taw:** Features a 2.4m HimawariCast Reception Antenna, Himawari 8/9 Satellite Rx System, Domestic MSS Servers, SATAID PCs, Forecasting PC-1, 2, and Data Entry PC-1, 2. It receives HimawariCast Data from the satellite.
- External or Internal Users:** Includes Other Users & Organizations, Seismic & Tsunami Data Center, and WMO GTS Link to/from RTH New Delhi & Bangkok. Data is exchanged via VPN, FTP, and Required Products.
- Commercial Internet:** Acts as the central hub for data distribution and VPN connections.
- WIS Links:** Connect to GISC New Delhi & Tokyo via WIS Links over VPN.
- GTS Links:** Connect to GTS MSS Servers via WMO GTS Link over VPN and GTS Message Switch System.

Legend:

- Yellow box: Forecasting PC with SATAID
- Green box: GTS Information Systems
- Blue box: Satellite Reception Systems

1.C Training for the new GTS-MSS in Dec 2019

[Nay pyi Taw on 9th & 10th Dec]

General Lectures and Practical On-the-Job-Training (OJT)

for Operators, System administrators, Maintenance engineers, Observers & Forecasters



2a. Internet tools

- RSMC for Tropical Cyclones over North India Ocean (<https://rsmcnewdelhi.imd.gov.in/>)
- IMD Weather Information (<https://internal.imd.gov.in/pages/main.php>)
- NCEP Model Forecast for South Asia
(https://www.cpc.ncep.noaa.gov/products/international/cpci/data/00/fcsts_sasia.shtml)
- GFS Forecasts for 850mb Flow
(<http://wxmaps.org/pix/trop.850>)
- GFS Forecasts of Vertical Velocity or Precipitation
(<http://www.monsoondata.org/wx2/india.vv.html>)
- TMD Weather Charts and Forecasts
(<https://www.tmd.go.th/en/index.php>)

2b. Internet tools

- Bureau of Meteorology Temperature Forecasts
(<http://www.bom.gov.au/australia/charts/viewer/index.shtml?type=T&level=2m&tz=UTC&area=SEA&model=G&chartSubmit=Refresh+View>)
- CIMSS Tropical Cyclones Winds and Analyses <http://tropic.ssec.wisc.edu/real-time/windmain.php?&basin=indian&sat=wm5&prod=vor3&zoom=&time=>
- SESASME (https://sesame-dmh.rimes.int/index.php/login/login_form)
- JAMA Tropical Cyclone Information
(https://www.jma.go.jp/bosai/map.html#5/34.5/137/&elem=root&typhoon=all&content_s=typhoon&lang=en)
- WRF data
<https://nomads.ncep.noaa.gov/pub/data/nccf/com/gfs/prod/gfs.2019021300>

To check GTS data

<https://www.wis-jma.go.jp/cms/>

<https://gts.tmd.go.th>

<https://tgftp.nws.noaa.gov/data/raw/sm>

3.Utilize Internet Services

Providing information to public

❑ DMH Web

<https://www.moezala.gov.mm/>

❑ Facebook

<https://www.facebook.com/departmentofmeteorologyandhydrology>

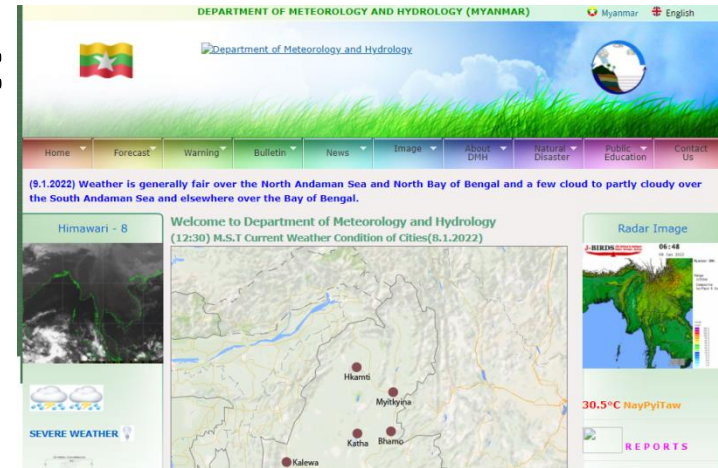
❑ YouTube

Daily weather report

10 Day/ Farmer weather forecast

Monthly Met/Hydro forecast

<https://www.youtube.com/watch?v=DpuPjmXzQWQ>



4. Achievement, Remaining Items, Issues

Achievement

- Dec 2019 Upgraded of GTS/WIS
- 5-10-2020 SFTP link test successful with GISC (TOKYO)

Remaining items

- Yangon- Nay pyi Taw link immigration from old circuit to new circuit
- Nay Pyi Taw – New Delhi link upgrade to WMO – FTP

Issues

- Some UPS malfunction

Thank you